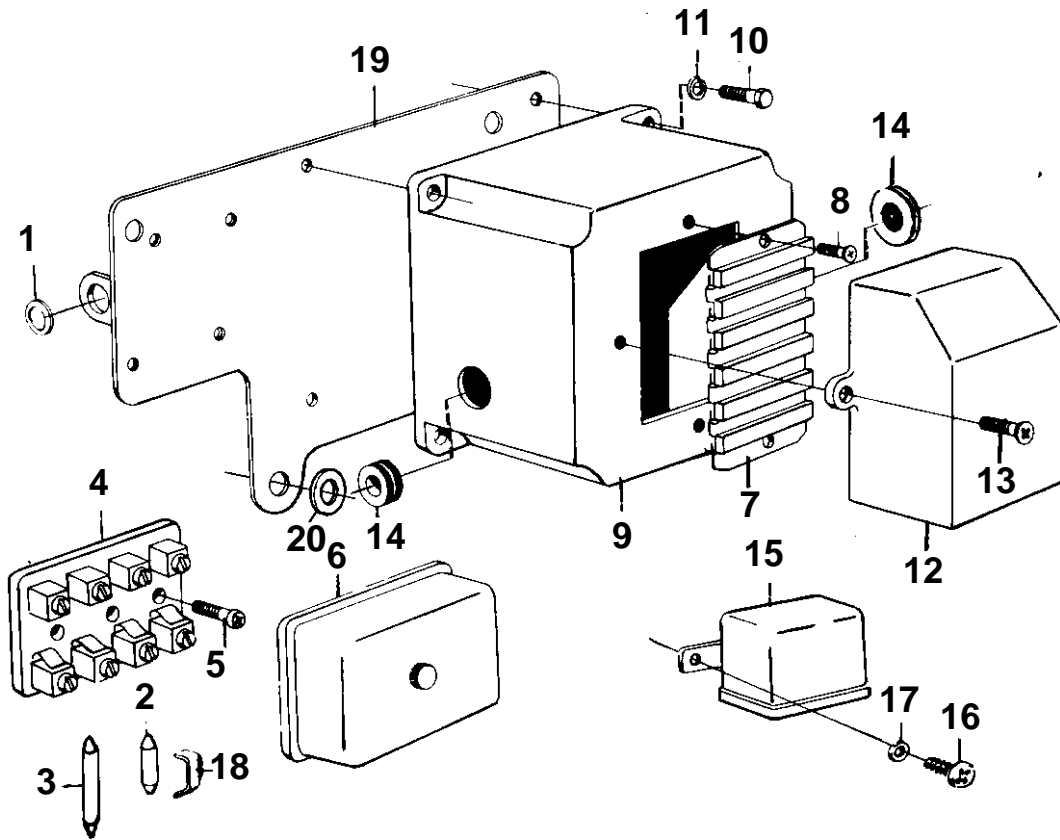


D45B PP



6877

**CONNECTING BOX AND INTERM. RELAY WITH INSTALLATION
COMPONENTS: D45BPP**

030

D45B PP

REF	PART NO.	QTY	DESCRIPTION	NOTES
1	955896	1	Washer	
2	11433	3	Fuse	8A
3	943905	1	Fuse	25A
4	304307	1	Fuse box	
5	950021	2	Screw	
6	191206	1	Cover	
7	821110	1	Terminal block	
8	950011	2	Screw	
9	830749	1	Electrical distribut	
10	950034	4	Screw	
11	941905	4	Spring washer	
12	821044	1	Cover	
13	950024	2	Screw	
14	822783	2	Cable grommet	
15	870451	1	Relay	
16	950019	2	Screw	
17	941905	2	Spring washer	
18		1	CONNECTING BAR	
19	830635	1	Bracket	
20	955899	2	Washer	